

**TEST KIT for the MFC
HARDWARE MANUAL**

CONNECT²CAR

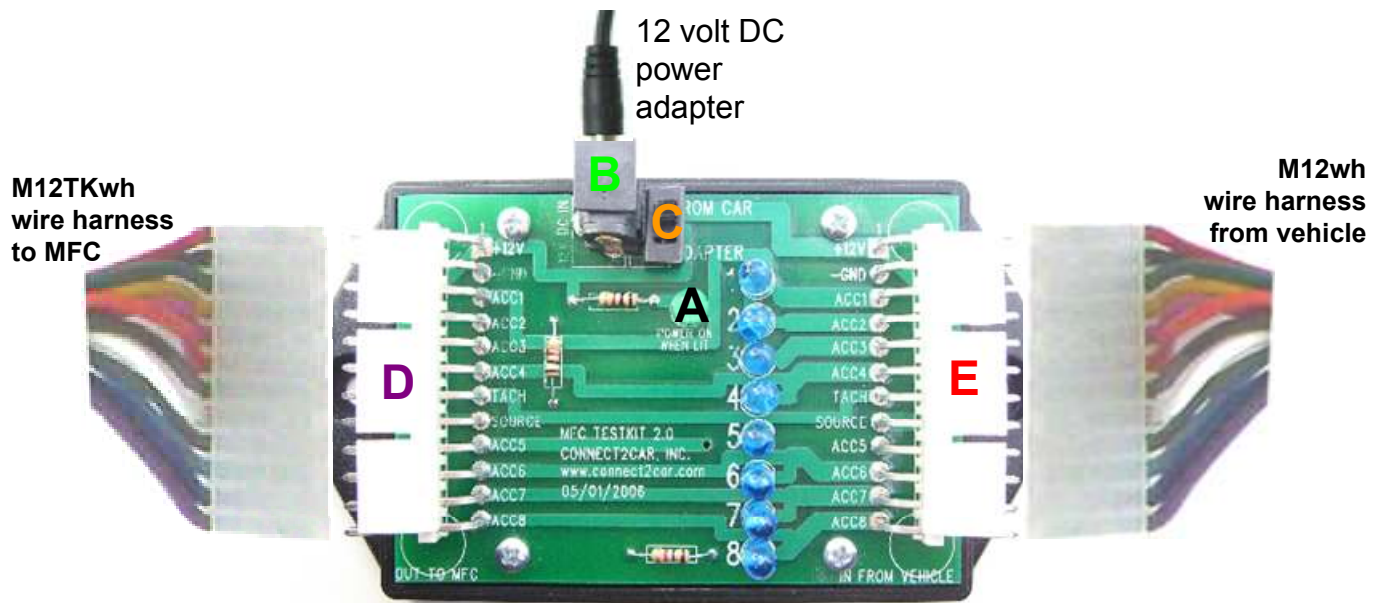
5/1/2006

MFC TEST KIT HARDWARE MANUAL

Rev A, Issue 1

GENERATION III CAR CONTROL SYSTEMS

MFC TEST KIT MANUAL



PART A:

- A) The green power L.E.D. indicates that the power is on, when lit.
- B) 12V DC In => For 12 volt DC power source input **ONLY**.
- C) Power Control Switch (Only one power source is used at a time).
 - Switch Up => Power from wall adapter [12 volt]
 - Switch Down => Power from the vehicle
- D) Harness side labeled "OUT TO MFC", plug the Jumper Harness here according to the wire colors.
- E) On Harness Input side labeled "IN FROM VEHICLE", plug the cars M12wh Harness in here according to the wire colors.

PART B:

OUTPUTS:

If properly connected to an MFC you will hear the relays, within the MFC, click for outputs ACC1, ACC2, ACC3, and ACC4. (Refer to MFC Manual for more information about relays)

ACC1 to LED 1 – When ACC1 is triggered, the blue LED labeled "1" will light-up.
ACC2 to LED 2 – When ACC2 is triggered, the blue LED labeled "2" will light-up.
ACC3 to LED 3 – When ACC3 is triggered, the blue LED labeled "3" will light-up.
ACC4 to LED 4 – When ACC4 is triggered, the blue LED labeled "4" will light-up.

No relays will click for negative triggers ACC5, ACC6, ACC7, and ACC8.

ACC5 to LED 5 – When ACC5 is triggered, the blue LED labeled "5" will light-up.
ACC6 to LED 6 – When ACC6 is triggered, the blue LED labeled "6" will light-up.
ACC7 to LED 7 – When ACC7 is triggered, the blue LED labeled "7" will light-up.
ACC8 to LED 8 – When ACC8 is triggered, the blue LED labeled "8" will light-up.



connect2car.com

Connect2Car, Inc.
540 Nepperhan Avenue
Suite 580A
Yonkers • NY • USA
Tel: 914.751.6426
Fax: 914.239.3250

Connect2Car Tech Support
US: 914.239.3826

TKHM001MFC